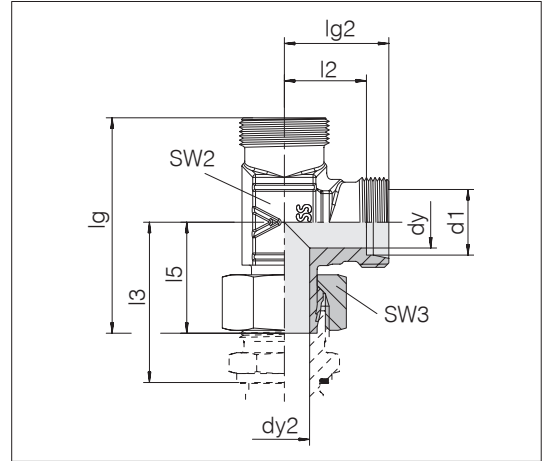


# Swivel run tees

Tube socket pre-assembled

Tube coupling: 24° in acc. with ISO 8434-1



Series	Tube OD	Pressure	dy	lg	lg2	l2	l5	SW2	SW3	kg/100 ca.	Order-No.	Designation
L	6	PN 315	4	45	19	12	26	12	14	3.4	0162032007	24-SWL-L6
L	8	PN 315	6	48.5	21	14	27.5	12	17	4.7	0162082007	24-SWL-L8
L	10	PN 315	8	51	22	15	29	14	19	6.0	0162132007	24-SWL-L10
L	12	PN 315	10	53.5	24	17	29.5	17	22	7.9	0162182007	24-SWL-L12
L	15	PN 315	12	60.5	28	21	32.5	19	27	13.7	0162232007	24-SWL-L15
L	18	PN 315	15	66.5	31	23.5	35.5	24	32	20.8	0162282007	24-SWL-L18
L	22	PN 160	19	73.5	35	27.5	38.5	27	36	27.2	0162332007	24-SWL-L22
L	28	PN 160	24	79.5	38	30.5	41.5	36	41	39.1	0162382007	24-SWL-L28
L	35	PN 160	30	96	45	34.5	51	41	50	66.1	0162432007	24-SWL-L35
L	42	PN 160	36	107	51	40	56	50	60	100.6	0162482007	24-SWL-L42
S	6	PN 630	4	50	23	16	27	12	17	5.6	0162532007	24-SWL-S6
S	8	PN 630	5	51.5	24	17	27.5	14	19	7.8	0162582007	24-SWL-S8
S	10	PN 630	7	55	25	17.5	30	17	22	10.3	0162632007	24-SWL-S10
S	12	PN 630	8	60	29	21.5	31	17	24	13.4	0162682007	24-SWL-S12
S	14	PN 630	10	65	30	22	35	19	27	17.7	0162732007	24-SWL-S14
S	16	PN 400	12	69.5	33	24.5	36.5	24	30	22.5	0162782007	24-SWL-S16
S	20	PN 400	16	81.5	37	26.5	44.5	27	36	34.8	0162832007	24-SWL-S20
S	25	PN 400	20	92	42	30	50	36	46	63.5	0162882007	24-SWL-S25
S	30	PN 400	25	104	49	35.5	55	41	50	91.4	0162932007	24-SWL-S30
S	38	PN 315	32	120	57	41	63	50	60	141.7	0162982007	24-SWL-S38

Example for comp. :  
EVL06LOMD

